

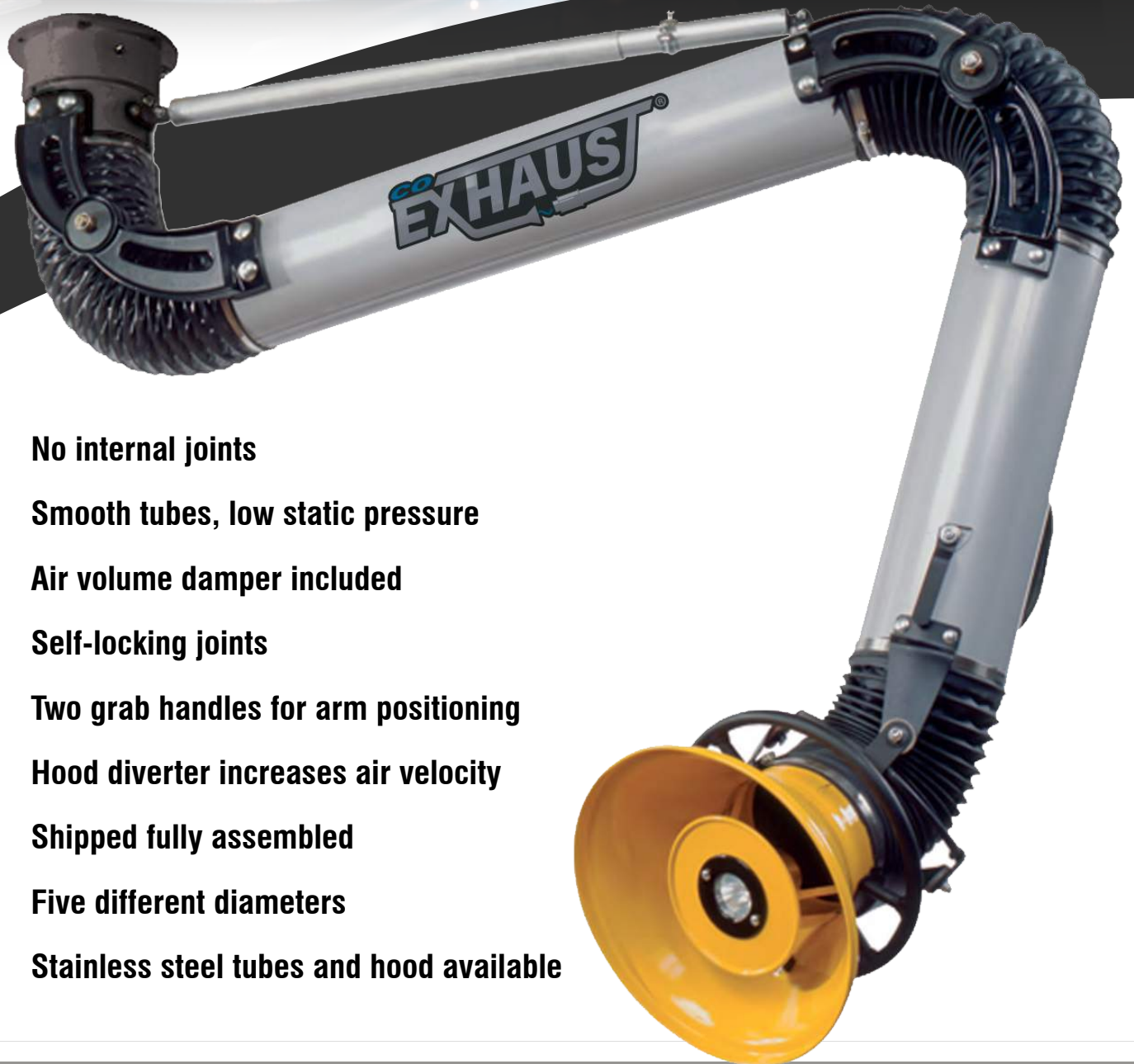


**CO  
EXHAUST**

**DUST AND FUME SOLUTIONS**



**ARTICULATED  
FUME ARMS**



- **No internal joints**
- **Smooth tubes, low static pressure**
- **Air volume damper included**
- **Self-locking joints**
- **Two grab handles for arm positioning**
- **Hood diverter increases air velocity**
- **Shipped fully assembled**
- **Five different diameters**
- **Stainless steel tubes and hood available**

EMAIL : [info@coexhaust.com](mailto:info@coexhaust.com)  
[www.coexhaust.com](http://www.coexhaust.com)

COExhaust  
50a Northwestern Dr  
Unit 2 #46  
Salem, NH 03079  
USA 1-603-685-3929  
Toll Free 1-877-619-3888

Canadian Distributor  
AQC Dust Collecting Systems, Inc.  
660 rue de la Sabliere, Bois-des-Filion QC J5C  
[www.aqcdust.com](http://www.aqcdust.com) 450-621-6661



**DUST AND FUME SOLUTIONS**

## **Articulated fume extractor arm**

Overhead canopy hoods are a thing of the past. Workers were actually breathing the dust and smoke-filled air as it was travelling upward toward the canopy hood. Source capture is the safe and right way to significantly eliminate harmful pollutants that are the primary cause of lung diseases. The COEXHAUST articulated fume arms are built to reduce the presence of industrial indoor air particles. From laboratories to large welding shops, COEXHAUST fume arms will get the job done.

# **A Leading-Edge, High-Performance Company**

CoExhaust manufactures fabricates a full range of safe, industrial dust collectors, as well as dust and smoke capture equipment and high-pressure industrial dampers at the leading edge of air control technologies based on more than 30 years of experience in the field.

**COEXHAUST's strength lies in its innovative products designed and developed to generate substantial savings throughout their entire operating life.**

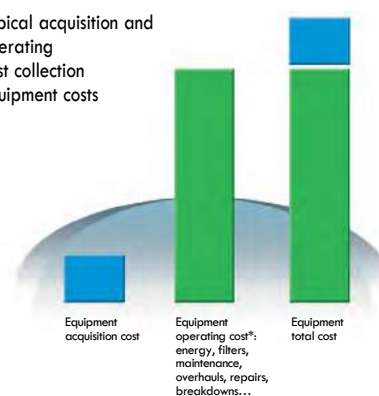
COEXHAUST is renowned for its technological innovation, safe and sophisticated equipment design, as well as its robust and precise product manufacturing. COEXHAUST stands out with its unique design of the baffles inside dust collectors making filter cleaning easy and a cartridge holder design that provides maximum filter surface, which enhances filter performance. The ultra-smooth concept inside COEXHAUST fume arms makes them maintenance-free and the durability of the heavy-duty industrial dampers exceed expectations.

In short, COEXHAUST equipment is designed and built to generate substantial operating savings in terms of time, money and energy. This translates to major reductions in operating costs – from 10 to 20% – throughout the equipment's operating life. This scale of savings can represent a significant portion of the equipment's total purchase price. Companies looking to maximize their profitability should factor in these savings when purchasing equipment.

**The unique design and features of COEXHAUST equipment generates significant savings for various reasons:**

- Substantial increase in the duration of filters.
- Lower energy consumption during years of use.
- Significantly less maintenance (easy to clean, robust manufacturing, a minimum number of more reliable and durable parts).
- Reduced operating costs (less frequent overhauls, lack of or minimum down time, etc.).
- Lower administrative costs (coordination, follow-ups, supervision) due to much less frequent breakdowns.
- Safe design can prevent serious or even fatal accidents.
- Increased comfort and productivity of personnel.

Typical acquisition and operating dust collection equipment costs



The acquisition cost is just one part of the equation. It's the total cost including the operating cost \*throughout the life cycle of the equipment that must be kept low. This is what COEXHAUST delivers. The advanced technology, design, robustness, durability and safety of COEXHAUST products generate major savings during the equipment's entire life cycle.



# COEXHAUST a full line of articulated fume extractor arms

## Efficient, robust and easy to handle

- Highly functional design facilitates fume arm handling and ease of movement.
- All supports and articulation joints are outside the fume arm. The inside is smooth, without any obstacles that could reduce air flow, accumulate deposits and increase internal friction, which consume energy unnecessarily.
- External supports and articulation joints are readily accessible, easy to adjust and require no maintenance.
- The diverter in the hood significantly increases the dust and smoke capture velocity.
- The unique design of the robust and durable top pivot made of steel makes 360° rotation easy.
- The COEXHAUST fume arm's steel tubes are far more spark-resistant than constructions with flexible hose.
- All COEXHAUST arms are delivered pre-assembled and adjusted, ready for rapid installation and operation.

## typical applications for the maxair fume arms

### Hanging model for ceilings and walls



- Laboratories
- Research facilities
- Beauty salons
- Light dust applications
- Museums
- Soldering
- Light welding



- Medium to heavy welding
- Heavy smoke
- Plasma cutting
- Grinding and sanding
- Foundries
- Large dusts applications
- Gouging

### Table / bench mount model



- Medium welding
- Grinding and sanding
- Medium to heavy smoke

### Stainless steel arms

- Pharmaceutical
- Laboratories
- Food processing
- Corrosive gases
- Solvent fumes
- High temperature
- High humidity



304 stainless steel model (luster finish)

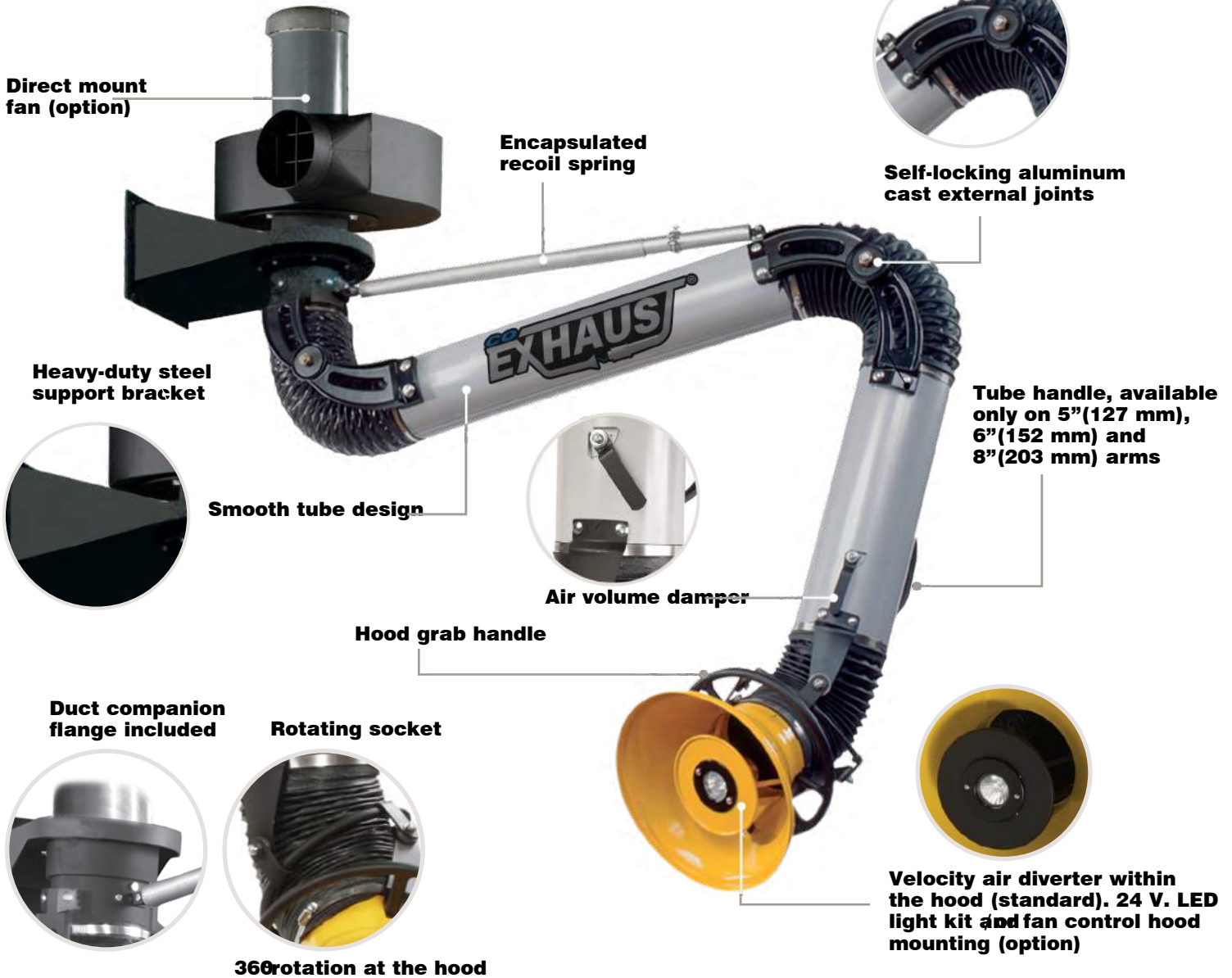
Note: Our stainless-steel fume arms are designed for "wipe down" cleaning maintenance only. For "wash down"

### Telescopic fume arms

Fume arm tubes are made of galvanized steel with self-locking joints, which include friction discs and are fully adjustable. The arms have a handle that encircles the hood to facilitate positioning from all sides. All hose joints are gear clamped to the tubes.

maintenance, COEXHAUST offers full anodized aluminum parts. Contact your representative for details.

**outstanding COEXHAUST standard features**



Note : To assure proper installation, refer to local building laws and requirements. Support structure has to meet sturdiness and reliability for weight and torque of fume arm and equipment.

**DESCRIPTION**

Standard fume arm tubes are made of steel with external cast aluminum joints, which include friction discs and are fully adjustable. The arms have a handle that completely encircles the hood to facilitate positioning. Aluminum hood diameters vary from 7" on the 3" arms to 13" on the 6" and 8" arms. All joints include a hose able to withstand temperatures of up to 275 oF (135 oC), which are gear clamped to the tubes. All hoods may be fitted with an optional 24 V. LED light kit and/or a fan start and stop switch. COEXHAUST self-locking arms can be combined with several accessories to provide the best solution to your specific needs



## Model Numbers

### Hanging or table/bench mount

CHART 1

Hanging	Bench mount	Stainless steel hanging	Stainless steel bench mount	Arm diameter in /mm	Arm length ft /m	Standard hood diameter in /mm	Optional hood diameter in /mm	Weight lbs /kg
FA-HPG3-03	FA-PPG3-03	FA-HSS3-03	FA-PSS3-03	3/76	3/1.0	7/178	–	14/6.4
FA-HPG3-05	FA-PPG3-05	FA-HSS3-05	FA-PSS3-03	3/76	5/1.5	7/178	–	16/7.3
FA-HPG4-05	FA-PPG4-05	FA-HSS4-05	FA-PSS4-05	4/102	5/1.5	8/203	–	17/7.7
FA-HPG4-07	FA-PPG4-07	FA-HSS4-07	FA-PSS4-07	4/102	7/2.1	8/203	–	19/8.6
FA-HPG4-08	FA-PPG4-08	FA-HSS4-08	FA-PSS4-08	4/102	8.5/2.4	8/203	–	22/10
FA-HPG5-07	FA-PPG5-07	FA-HSS5-07	FA-PSS5-07	5/127	7/2.1	10/254	15/381	38/17.2
FA-HPG5-10	FA-PPG5-10	FA-HSS5-10	FA-PSS5-10	5/127	10/3.0	10/254	15/381	43/19.5
FA-HPG5-14	FA-PPG5-14	FA-HSS5-14	FA-PSS5-14	5/127	14/4.3	10/254	15/381	47/21.3
FA-HPG6-07	FA-PPG6-07	FA-HSS6-07	FA-PSS6-07	6/152	7/2.1	13/330	20/508	44/20
FA-HPG6-10	FA-PPG6-10	FA-HSS6-10	FA-PSS6-10	6/152	10/3.0	13/330	20/508	52/23.6
FA-HPG6-14	FA-PPG6-14	FA-HSS6-14	FA-PSS6-14	6/152	14/4.3	13/330	20/508	60/27.2
FA-HPG8-07	FA-PPG8-07	FA-HSS8-07	FA-PSS8-07	8/203	7/2.1	13/330	20/508	57/25.9
FA-HPG8-10	FA-PPG8-10	FA-HSS8-10	FA-PSS8-10	8/203	10/3.0	13/330	20/508	66/29.9
FA-HPG8-14	FA-PPG8-14	FA-HSS8-14	FA-PSS8-14	8/203	14/4.3	13/330	20/508	74/33.6

### Telescopic fume arm

CHART 2

Models	Arm diameter in /mm	Arm min. length in /mm	Arm max. length in /mm	Standard hood diameter in /mm	Optional hood diameter in /mm	Weight lbs /kg
FA-TPGG4-06	4/102	52/1321	72/1829	8/203	-	19/8,6
FA-TPGG5-06	5/127	52/1321	72/1829	10/254	15/381	30/13.6
FA-TPGG6-06	6/152	52/1321	72/1829	13/330	20/508	36/16.3

### Recommended air flow per arm

CHART 3

Arm diameter in /mm	CFM	l/s
3/76	125-200	58-94
4/102	150-350	71-165
5/127	350-550	165-260
6/152	600-800	283-378
8/203	800-1400	378-661

### Recommended fan selection for single arm application

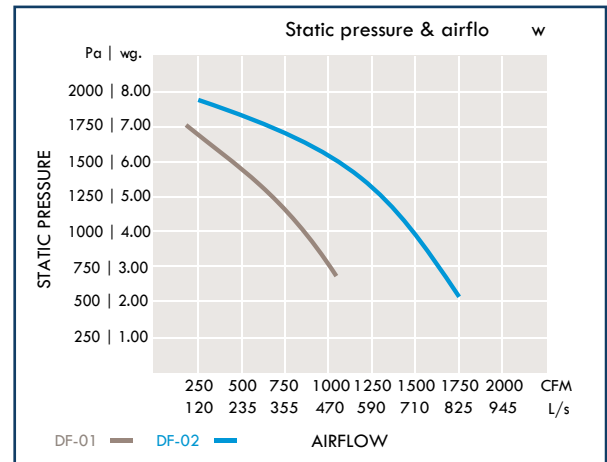
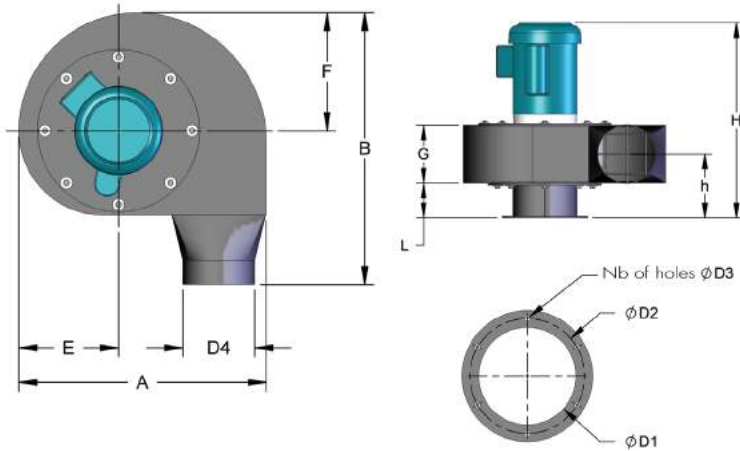
CHART 4

Arm diameter in /mm	Fan model	HP /KW
3/76	DFR-8	0.33 / 0.25
4/102	DFR-9	0.33 / 0.25
5/127	DFR-11	1 / 0.75
6/152	DF-01	1 / 0.75
8/203	DF-02	2 / 1.50

**Note :** Installation must be made according to local building codes and regulations.

## COEXHAUST FANS (3450 RPM)

Backward inclined (recommended for 6" and 8" diameter arms [152 mm and 203 mm])



### Fan dimensions

CHART 5

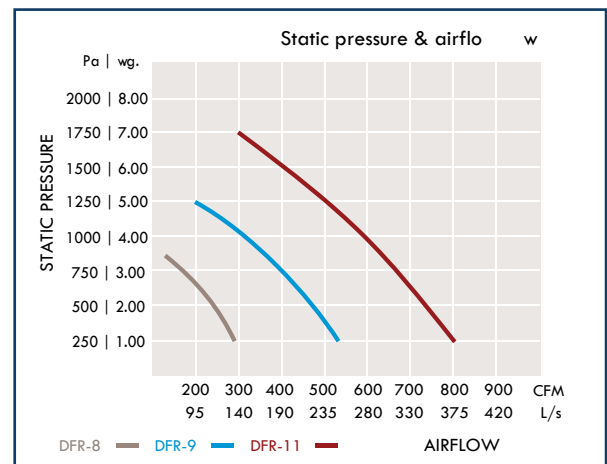
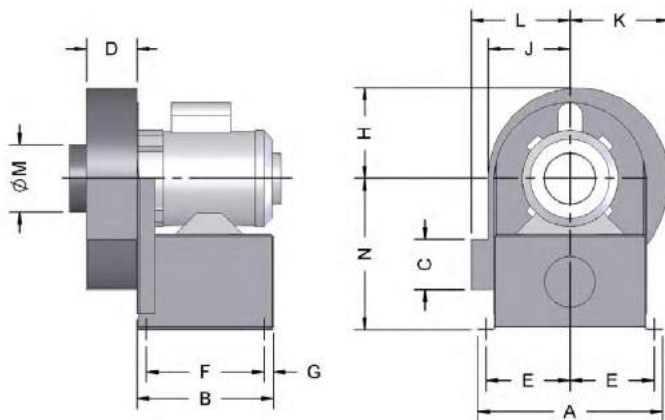
Model	Power HP	Dimensions in /mm													Weight lbs /kg
		A	B	E	F	H	L	G	h	d1	d2	d3	d4	Nb	
DF-01	1/0.75	20.1/510	22.7/577	8.2/208	9.8/249	21.25/540	4.5/114	5.9/150	7.5/191	6.2/157	7.69/195	0.38/10	5.9/150	6	70/31.8
DF-02	2/1.50	22.5/572	24.8/630	9.2/234	11/279	24.8/630	4.9/124	6.3/160	7.8/198	8.19/208	9.69/246	0.38/10	7.88/200	8	82/37.2

Electrical note : Fan motors indicated above are available in all voltages. Specify on order.

Technical note : Refer to MAXIDRIVE fan leaflet for complete data.

Recommended fans above are designed for arrangements as shown on page 9 of this leaflet.

## Radial blade (recommended for 3", 4" and 5" diameter arms [76mm, 102mm and 127mm])



### Fan dimensions

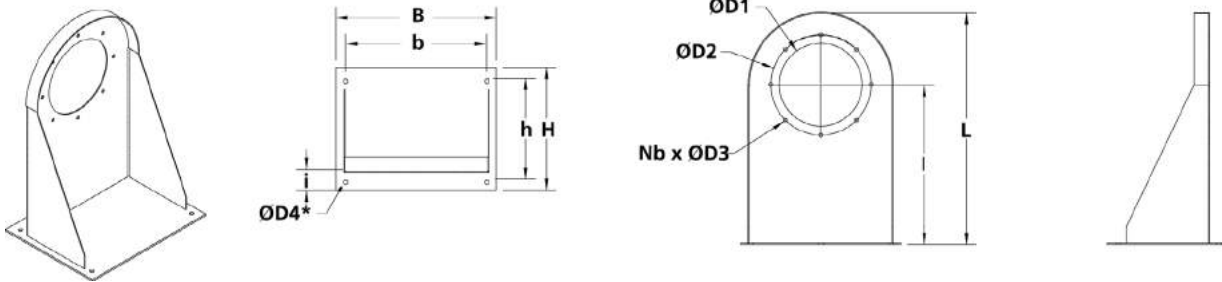
CHART 6

Model	HP /KW	Dimensions in /mm													Weight lbs /kg
		A	B	C	D	E	F	G	H	J	K	L	M	N	
DFR-8	0.33/0.25	11/279	8/203	3/76	3/76	5/127	7/178	0.5/13	5.4/137	4.9/124	5.9/149	5.9/149	4/102	8.5/216	44/20
DFR-9	0.33/0.25	12.13/308	8/203	3.5/89	3.5/89	5.6/142	7/178	0.5/13	6.4/162	5.8/147	6.88/175	6.8/172	5/127	9.4/239	46/21
DFR-11	1/0.75	14.75/375	9/229	4/102	3.5/89	6.9/175	7.5/191	0.75/19	7.3/185	6.5/165	8/203	7.63/194	6/152	11.8/300	62/28

Electrical note : Fan motors indicated above are available in 115/1/60.

Recommended fans above are designed for arrangement as shown on page 9 of this leaflet.

## COEXHAUST FUME ARM WALL AND BENCH MOUNTING BRACKET



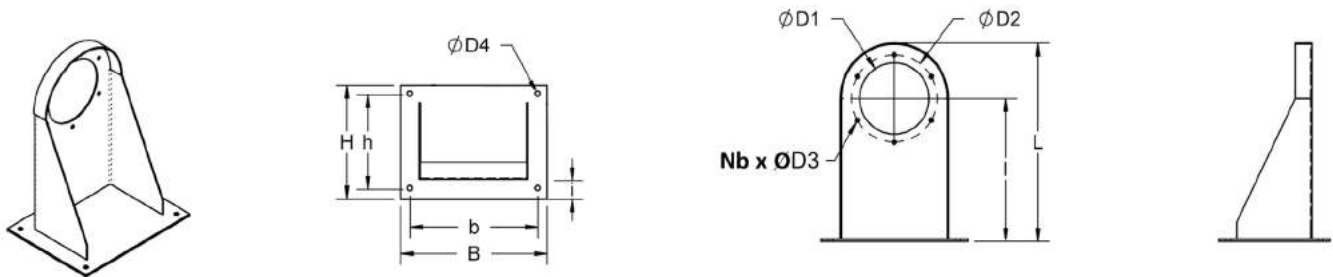
Notes : Brackets shown must be ordered separately. Bracket shown above is designed to support arm only.

### ARM BRACKET DIMENSIONS

CHART 7

Bracket type		Dimensions in /mm													Weight lbs /kg
Painted steel	Stainless steel	Arm Diameter	D1	D2	Nb	D3	D4	L	l	H	h	B	b	i	
WBA-003	WBA-SS3	3/76	3/76	4.38/111	4	0.31/7.9	0.38/9.7	6.69/170	3.94/100	3.88/98.6	2.75/70	5.38/137	4/102	-	1/0.45
WBA-004	WBA-SS4	4/102	3.94 /100	5.31/135	4	0.31/7.9	0.38/9.7	7.5/191	3.94/100	3.88/98.6	2.75/70	6.25/159	4.88/124	-	1/0.45

### FAN/ARM SUPPORT BRACKET DIMENSIONS



Note : Brackets shown must be ordered separately. Bracket shown above is designed to support arm only, fan only or fan/arm arrangement s.

### ARM BRACKET DIMENSIONS

CHART 8

Model		Dimensions in /mm													Weight lbs /kg
Painted steel	Stainless steel	Arm Diameter	D1	D2	Nb	D3	D4	L	l	H	h	B	b	i	
WBF-005	WBF-SS5	5 / 127	5/127	6.5/165	6	0.31/8	0.43 /11	17.44/443	12.56 /319	10/254	8.25/210	13.25/337	11.25/286	0.875/22	5/2.3
WBF-006	WBF-SS6	6 / 152	6.25/159	7.7/195	6	0.28/7	0.43 /11	17.44/443	12.38 /314	10/254	8.25/210	13.25/337	11.25/286	0.875/22	11/5
WBF-008	WBF-SS8	8 / 203	8/203	9.7/246	8	0.38/10	0.43 /11	22.3/566	15.41/391	11.75 /298	9.75/248	15.38/391	13.38 /340	1/25	13/5.9

**COEXHAUST MAXIMUM REACH FOR HANGING / BENCH MOUNT MODELS**

Hanging model

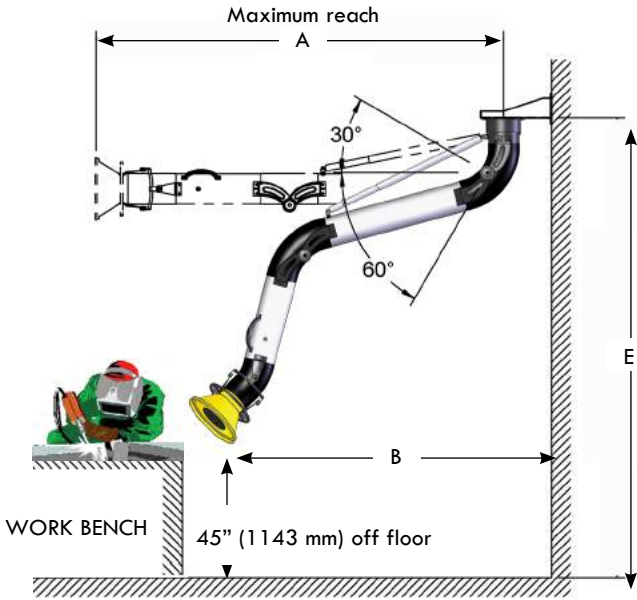
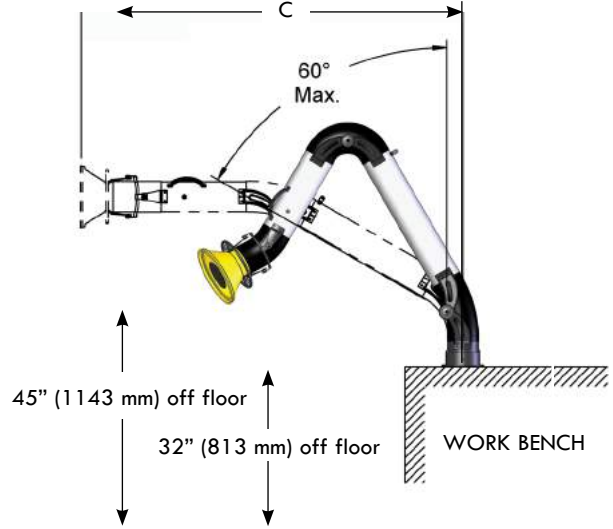


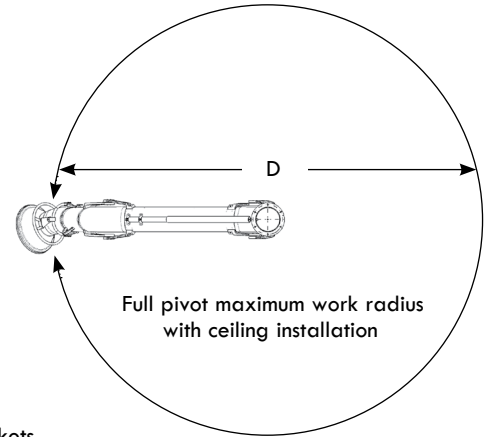
Table / bench mount model



**ARM REACH**

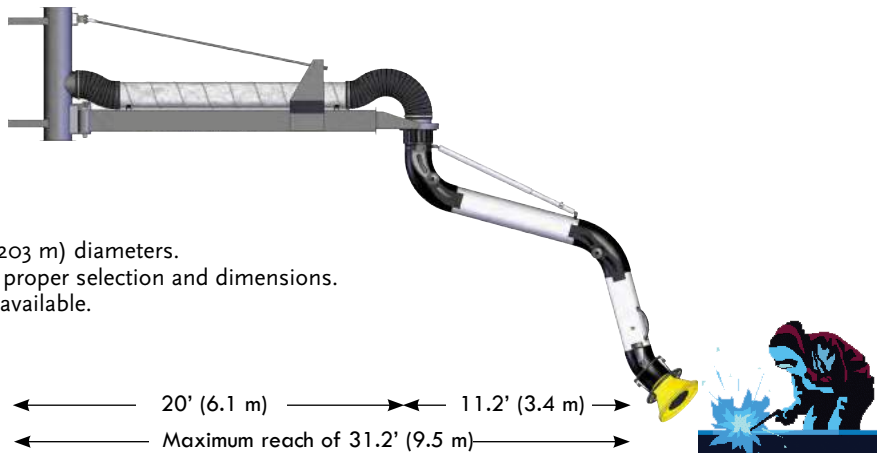
CHART 9

A Arm length ft /m	B Maximum reach at 45"(1143 mm) off floor ft /m	C Maximum reach at 45"(1143 mm) off floor ft /m	D Maximum reach at 45"(1143 mm) off floor ft /m	E Recommended mounting height ft /m
3/0.9	2.6/0.8	3/0.9	5.2/1.6	6/1.8
5/1.5	3.5/1.1	5/1.5	7/2.1	6/1.8
7/2.1	5.5/1.7	7/2.1	11/3.4	6/1.8
8.5/2.4	7.4/2.3	7/2.1	14.8/4.5	7/2.1
10/3	8.5/2.6	7.8/2.4	17/5.2	8/2.4
14/4.3	11.2/3.4	10.2/3.1	22.4/6.8	8/2.4



Note: On 14' (4.3 meters) long arms, reaches indicated in chart 9 are with WBF support brackets.

**COEXHAUST MAXIMUM REACH WITH EXTENSION BOOM**



Available in 6" (152 mm) and 8" (203 mm) diameters.  
Refer to MAXIREACH leaflet for proper selection and dimensions.  
Single and double pivot booms available.



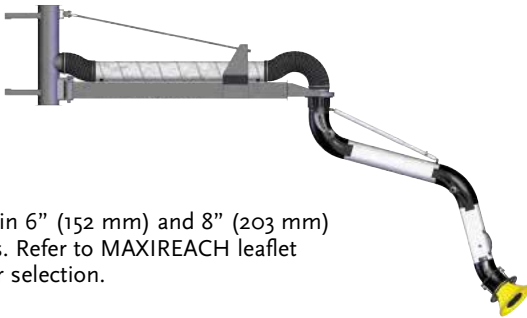
**COEXHAUST SINGLE FUME ARM AND MAXIDRIVE FAN ARRANGEMENT**



Available in all diameters

**TYPICAL INSTALLATION OF A MAXAIR SOURCE CAPTURE ARM**

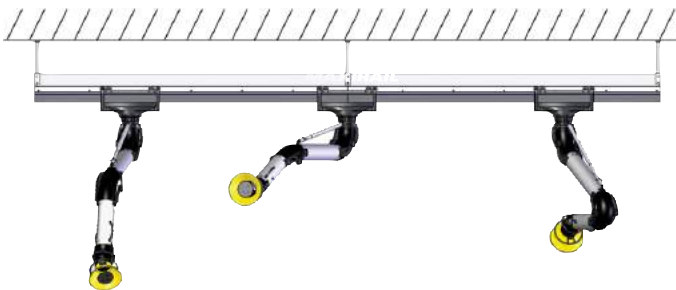
**COEXHAUST FUME ARM AND COEXHAUST EXTENSION BOOM ARRANGEMENT**



Available in 6" (152 mm) and 8" (203 mm) diameters. Refer to MAXIREACH leaflet for proper selection.

**TYPICAL INSTALLATION OF A SOURCE CAPTURE ARM WITH EXTENDED REACH**

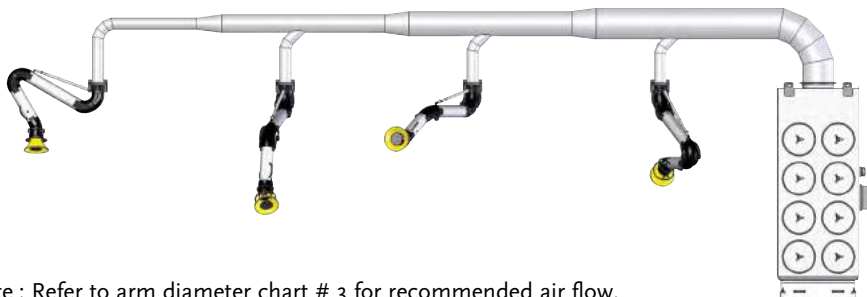
**COEXHAUST FUME ARM AND COEXHAUST DUCT / TROLLEY SYSTEM**



Available trolleys for 3" (76 mm), 4" (102 mm), 5" (127 mm) and 6" (152 mm) arms.

**TYPICAL INSTALLATION OF SOURCE CAPTURE ARMS WITH SLIDING TROLLEYS**

**COEXHAUST FUME ARM WITH COEXHAUST DUST COLLECTOR ARRANGEMENT**



**TYPICAL INSTALLATION OF SOURCE CAPTURE ARMS AND FILTRATION**

Note : Refer to arm diameter chart # 3 for recommended air flow. Refer to MAXIFLO leaflet for proper dust collector selection.

## OPTIONS

LED light kit model FA-0000-71L  
Fan switch model FA-0000-71F  
Light and fan switch model FA-0000-71LF  
(options above supplied with 25' (7.6 M) of low voltage cable)



Optional fume arm hood mesh protection. Galvanized steel mesh model: HW-W1/2  
Stainless steel mesh model: HW-WMSS1/2



NZ-FHM magnet base aluminum fume exhaust hoods, aluminum 1/2" (12 mm) mesh, grab handle and edge trim. Options : Flexible hose for duct connection, air volume damper. Available in 3" (76 mm), 4" (102 mm), 5" (127 mm), 6" (152 mm), 8" (203 mm) inlet diameters.



Electrical note : 24 V transformer and/or starter needed for light kit and fan operation which are not included. Contact factory for proper selection and model number.

Note : Light kit and fan switch are not recommended for stainless steel fume arms with wash down preventive maintenance.

Note : Diverter and light kit assembly is not available on 3" (76 mm) arms. Fan start/stop switch is available.

Note : 3 watts LED light = 35 watts halogen = 162 lumens

## COEXHAUST FUME ARM EXTENSIONS AND FLOOR POSTS

Vertical floor posts (includes arm support bracket)



CHART 10

Models	Height ft/m	Note
VFP-06	6/1.83	For arms 7'/2.13 m long and less
VFP-08	8/2.43	For arms 8.5' to 14' / 2.6 to 4.3 m long

Ceiling support extensions



CHART 11

Models	Height in/mm
CSE-30	30/762
CSE-36	36/914
CSE-42	42/1067

Horizontal fixed extensions (includes arm support bracket)

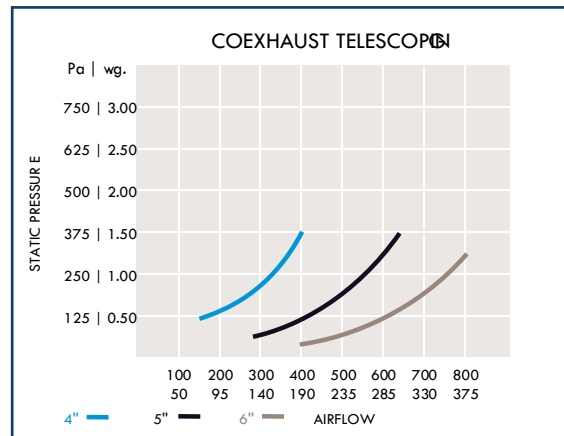
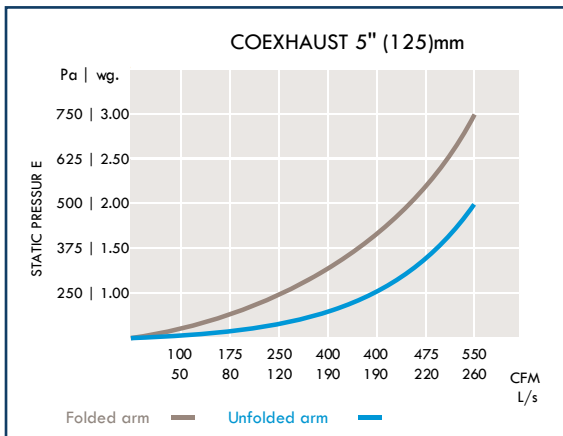
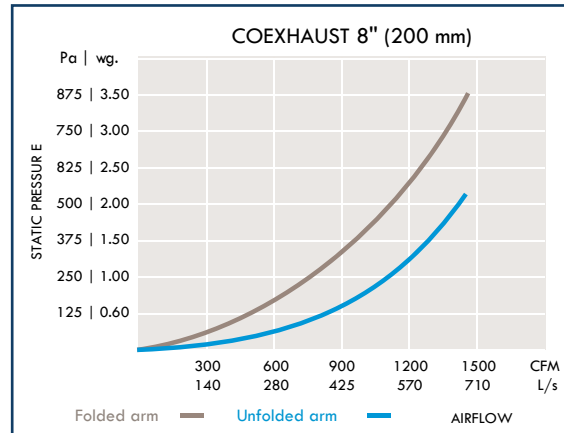
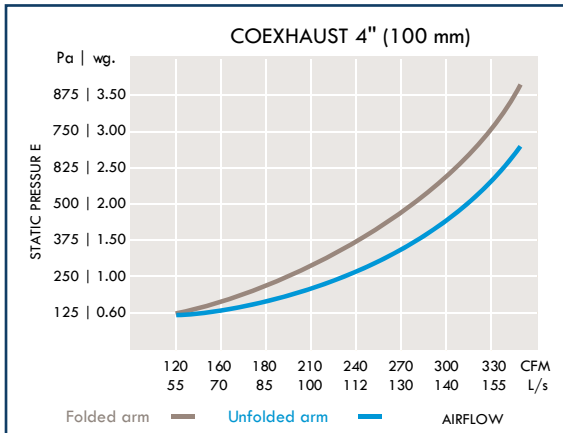
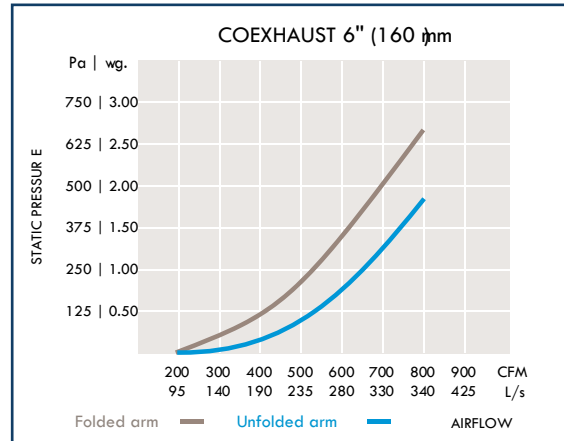
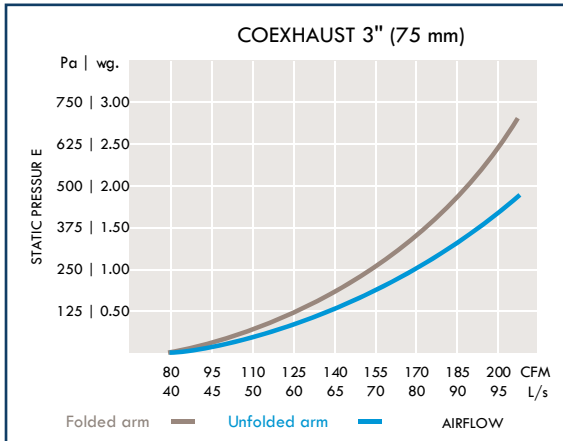


CHART 12

Models	Length ft/m
HFE-02	2/0.6
HFE-04	4/1.22

Installation note: Refer to local building laws prior to installation. Support structure must meet sturdiness and hold weight of equipment.

## STATIC PRESSURE & AIRFLOW



Note : COEXHAUST fume arms are available in different lengths but have minimal variation in static pressure curves indicated above.

## OPTIONS

- LED light kit on fume hood
- Fan control switch on the hood
- High temperature FDA hoses
- Vertical floor posts
- Wall and ceiling extension posts
- COEXHAUST pivot booms (up to 20'/6.1 m)
- Protective wire mesh in hood
- Fan mounted above arm bracket
- Larger or custom inlet hoods
- Custom colors (minimum quantities required)
- Grounding wire for static discharge



## YOUR COEXHAUST FUME ARM SPECIFICATION

### 1. Fume arm:

Fume arm includes an air volume damper with handle on hood tube, air diverter within the hood to increase inlet velocity (except on 3" arms), circular handle around the hood for positioning of the arm and a secondary hood tube handle for 5", 6" and 8" (127, 152 and 203 mm) diameter arms, encapsulated recoil spring for 7', 10' and 14' (2.1, 3 and 4.3 m) arms, tubes will be 26 steel gauge, powder coat painted grey, flexible hose at arm joints will be thermal plastic rubber 275 °F (135 °C), fume arm joints are coated, fume arm steel joints will be powder coated for 3" and 4" diameter arms, powder coat painted cast aluminum for 5", 6" and 8" diameter arms, joint wheel for rotation and movement of fume hood.

### 2. Fume arm will be:

- a) Hanging model
- b) Bench mount model

### 3. 3" (76 mm) with 7" (178 mm) hood will have a length of:

- a) 3' (0.9 m)  b) 5' (1.5 m)

### 4. 4" (102 mm) with 8" (203 mm) hood will have a length of:

- a) 5' (1.5 m)
- b) 7' (2.1 m)
- c) 8.5' (2.6 m)

### 6. 5" (127 mm) with 10" (254 mm) hood will have a length of:

- a) 7' (2.1 m)
- b) 10' (3 m)
- c) 14' (4.3 m)

### 7. 6" (152 mm) with 13" (330 mm) hood will have a length of:

- a) 7' (2.1 m)
- b) 10' (3 m)
- c) 14' (4.3 m)

### 8. 8" (203 mm) with 13" (330 mm) hood will have a length of:

- a) 7' (2.1 m)
- b) 10' (3 m)
- c) 14' (4.3 m)

### 9. Fume arm will be telescopic:

- a) 4" telescopic 52" to 72" (1321 to 1829 mm)
- b) 5" telescopic 52" to 72" (1321 to 1829 mm)
- c) 6" telescopic 52" to 72" (1321 to 1829 mm)

### 10. Fume arm tubes should be:

304 stainless steel with clear F.D.A. hoses 250 °F (121 °C)

### 11. Fume arm hood has:

An oversized hood diameter

### 12. Fume arm will be supplied with:

- a) Black powder coat painted steel bracket
- b) 304 stainless steel support bracket
- d) Floor mounted vertical post
- e) Wall mounted horizontal post
- f) Ceiling mounted vertical post

### 13. Fume arm will be supplied with:

- a) 24V LED light kit with hood switch
- b) 24V fan control with hood switch
- c) 24V LED light kit and fan control hood switches
- d) Stainless steel wire mesh in hood

### 14. Single arm with fan:

- a) DFR-8 fan for 3" (75 mm) arm (115/1/60 only)
- b) DFR-9 fan for 4" (102 mm) arm (115/1/60 only)
- c) DFR-11 fan for 5" (127 mm) arm (115/1/60 only)
- d) DF-o1 fan for 6" (152 mm) arm (specify voltage)
- e) DF-o2 fan for 8" (203 mm) arm (specify voltage)

**Note:** Specifications listed above may be modified to suit application. Contact COEXHAUST or representative for information.

Your COEXHAUST representative is:

COExhaust  
50a Northwestern Dr  
Unit 2 #46  
Salem, NH 03079  
USA 1-603-685-3929  
Toll Free 1-877-619-3888

Canadian Distributor  
AQC Dust Collecting Systems, Inc.  
660 rue de la Sabliere, Bois-des-Filion QC JSC  
www.aqcdust.com 450-621-6661